

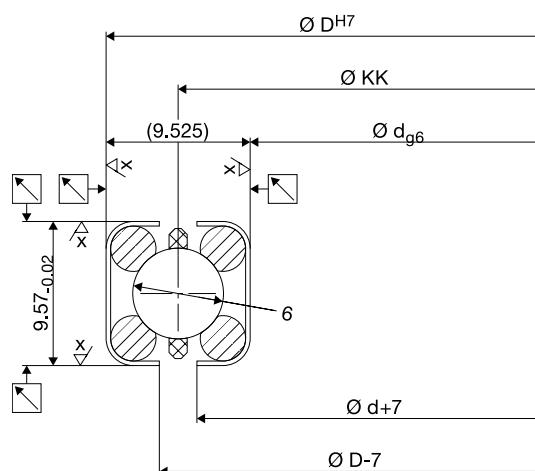
Slim Bearing

Type LDD

Bearing element
with steel housing

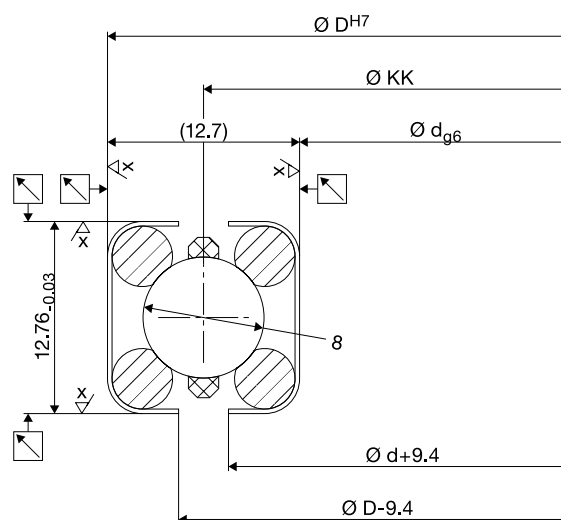
LDD 3/8"

Dimensions inch		Load ratings KN				Weight kg	Order no.
D	d	Coa	Cor	Ca	Cr		
5.50	4.75	51	24	17	15	0.15	75067A
5.75	5.00	53	25	19	16	0.16	75068A
6.25	5.50	60	28	19	16	0.16	75069A
6.75	6.00	64	30	20	17	0.19	75070A
7.25	6.50	70	33	20	17	0.21	75071A
7.75	7.00	74	35	21	18	0.22	75072A
8.25	7.50	79	37	21	18	0.24	75073A
8.75	8.00	85	40	22	19	0.25	75074A
9.75	9.00	96	45	23	20	0.29	75075A
10.75	10.00	106	50	23	20	0.32	75076A
11.75	11.00	115	54	24	21	0.35	75077A
12.75	12.00	125	59	25	22	0.38	75078A
14.75	14.00	147	69	27	23	0.44	75079A
16.75	16.00	166	78	28	24	0.50	75080A
18.75	18.00	187	88	29	25	0.56	75081A
20.75	20.00	208	98	30	26	0.63	75082A
25.75	25.00	259	122	32	28	0.78	75083A



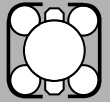
LDD 1/2"

Dimensions inch		Load ratings KN				Weight kg	Order no.
D	d	Coa	Cor	Ca	Cr		
7.00	6.00	70	33	31	27	0.34	75010A
7.50	6.50	74	35	32	28	0.36	75011A
8.00	7.00	79	37	34	29	0.39	75012A
8.50	7.50	87	41	35	30	0.42	75013A
9.00	8.00	91	43	35	30	0.45	75014A
10.00	9.00	102	48	36	31	0.50	75015A
11.00	10.00	113	53	37	32	0.56	75016A
12.00	11.00	123	58	39	34	0.61	75017A
13.00	12.00	136	64	41	35	0.66	75018A
15.00	14.00	157	74	43	37	0.77	75019A
17.00	16.00	179	84	45	39	0.88	75020A
19.00	18.00	202	95	46	40	0.99	75021A
21.00	20.00	223	105	49	42	1.09	75022A
26.00	25.00	278	131	52	45	1.36	75023A



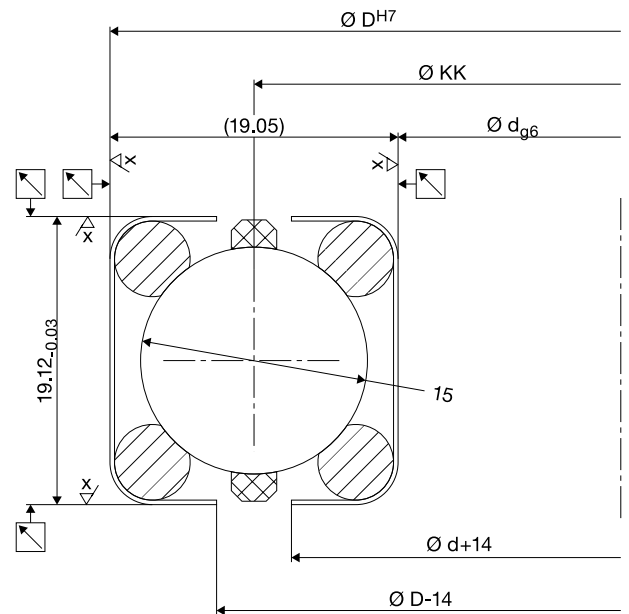
Materials

	Housings	Race ring	Balls	Cage
Standard	Ck55	54SiCr6	100Cr6 DIN 5401, G28	PA12
Special	Coating: ATC	Niro X12CrNi177 Niro X7CrNiAl177	Niro X45Cr13 POM Ceramic Al ₂ O ₃ Ceramic Si ₃ N ₄	



LDD 3/4“

Dimensions inch		Load ratings KN				Weight kg	Order no.
D	d	Coa	Cor	Ca	Cr		
8.50	7.00	155	73	84	73	0.89	75032A
9.00	7.50	166	78	87	75	0.95	75033A
9.50	8.00	174	82	89	77	1.01	75034A
10.50	9.00	196	92	93	80	1.13	75035A
11.50	10.00	219	103	97	84	1.26	75036A
12.50	11.00	238	112	101	87	1.38	75037A
13.50	12.00	257	121	103	89	1.49	75038A
15.50	14.00	302	142	110	95	1.74	75039A
17.50	16.00	340	160	116	100	1.97	75040A
19.50	18.00	383	180	119	103	2.22	75041A
21.50	20.00	427	201	125	108	2.47	75042A
26.50	25.00	529	249	134	116	3.07	75043A



LDD 1“

Dimensions inch		Load ratings KN				Weight kg	Order no.
D	d	Coa	Cor	Ca	Cr		
10.00	8.00	270	127	136	118	1.81	75054A
11.00	9.00	300	141	143	124	2.01	75055A
12.00	10.00	332	156	148	128	2.26	75056A
13.00	11.00	361	170	154	133	2.47	75057A
14.00	12.00	391	184	158	137	2.67	75058A
16.00	14.00	463	218	169	146	3.09	75059A
18.00	16.00	525	247	178	154	3.54	75060A
20.00	18.00	587	276	185	160	3.96	75061A
22.00	20.00	648	305	192	166	4.41	75062A
27.00	25.00	803	378	207	179	5.45	75063A

