

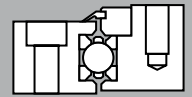
Bearing Assemblies

Type LDV

Steel version
Preference series

Materials

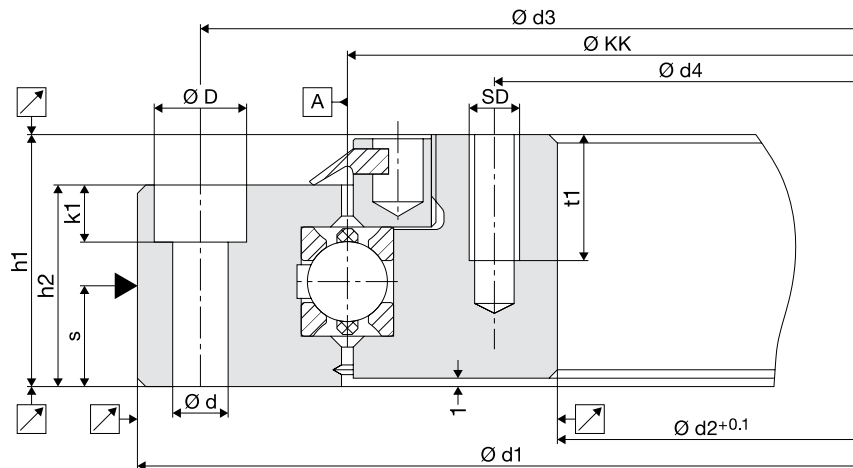
Inner / Outer ring	Race ring	Balls	Cage	Seals
C45N	54SiCr6	100Cr6	PA12	NBR



available from stock

LDV

Ø KK mm	Load ratings KN				Diameter mm				Height mm		Fixing per ring			Dimensions mm			Weight kg	Order no.		
	Coa	Cor	Ca	Cr	d1	d2	d3	d4	h1	h2	D	d	k1	s	SD	t1				
100	54	25	18	16	150 _{-0.10}	50	135	65	30 ^{+0.3}	24	11	6.6	6 x	6.8	12.5	M 6	10	2.5	69715A	NEW
200	110	52	24	21	250 _{-0.10}	150	235	165	30 ^{+0.3}	24	11	6.6	8 x	6.8	12.5	M 6	10	5.0	66276A	
300	166	78	28	24	360 _{-0.10}	240	340	260	38 ^{+0.4}	31	15	9.0	12 x	9.0	15.5	M 8	15	11.6	66277A	
400	429	202	48	41	470 _{-0.15}	330	445	355	44 ^{+0.5}	37	18	11.0	14 x	11.0	16.0	M10	15	21.6	66278A	
500	541	255	52	45	580 _{-0.15}	420	550	450	49 ^{+0.5}	42	20	14.0	14 x	13.0	19.5	M12	20	35.0	66865A	NEW
600	654	308	56	49	680 _{-0.15}	520	650	550	49 ^{+0.5}	42	20	14.0	16 x	13.0	19.5	M12	20	42.0	66866A	NEW



- Available from stock.
- Can be supplied in modified form or in other diameters for series production.