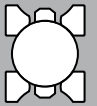


# Bearing Elements

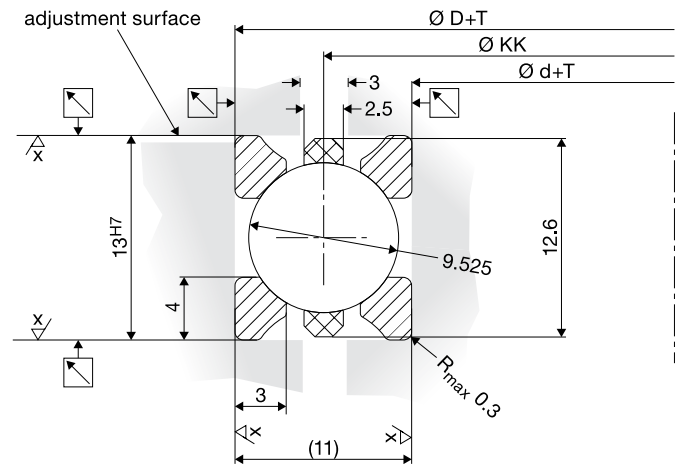
Type LER



Rectangular profile,  
unground raceways

## LER 3

Ø KK mm	Load ratings KN				Weight kg	Order no.
	Coa	Cor	Ca	Cr		
100	53	25	20	17	0.2	68460A
120	64	30	21	18	0.2	68464A
140	77	36	23	20	0.2	68468A
160	87	41	23	20	0.3	74062A
180	100	47	25	22	0.3	74066A
200	111	52	27	23	0.3	74070A
220	123	58	28	24	0.4	74074A
240	134	63	28	24	0.4	74078A
260	147	69	29	25	0.4	74082A
280	155	73	30	26	0.4	74086A
300	168	79	31	27	0.5	74090A
320	179	84	31	27	0.5	74092A
340	191	90	32	28	0.5	74094A
360	202	95	32	28	0.5	74096A
380	213	100	34	29	0.5	74098A
400	225	106	34	29	0.7	74100A
420	238	112	35	30	0.7	74102A
440	247	116	36	31	0.7	74104A
460	259	122	36	31	0.7	74106A
480	270	127	37	32	0.7	74108A
500	283	133	37	32	0.8	74110A
520	293	138	38	33	0.9	74112A
540	306	144	38	33	0.9	74114A
560	317	149	38	33	1.0	74116A
580	329	155	39	34	1.0	74118A
600	338	159	39	34	1.1	74120A
620	351	165	41	35	1.1	74122A
640	361	170	41	35	1.2	74124A
660	374	176	42	36	1.2	74126A
680	385	181	42	36	1.3	74128A
700	397	187	42	36	1.3	74130A
720	408	192	43	37	1.4	74132A
740	421	198	43	37	1.5	74134A
760	431	203	43	37	1.5	74136A
780	444	209	44	38	1.6	74138A
800	453	213	44	38	1.6	74140A
820	465	219	45	39	1.7	74142A
840	476	224	45	39	1.7	74144A
860	487	229	45	39	1.8	74146A
880	499	235	46	40	1.8	74148A
900	510	240	46	40	1.9	74150A
960	544	256	47	41	2.0	74153A
1000	567	267	47	41	2.0	74155A
1100	623	293	50	43	2.2	74160A
1200	682	321	51	44	2.4	74165A
1300	737	347	53	46	2.6	74170A
1400	797	375	54	47	2.8	74175A
1500	852	401	56	48	3.0	74180A





## Materials

	Race ring	Balls	Cage
<b>Standard</b>	54SiCr6	100Cr6 DIN 5401, G28	PA12
<b>Special</b>	Coating: Corrotect ATC	Niro X45Cr13 POM Ceramic Al <sub>2</sub> O <sub>3</sub> Ceramic Si <sub>3</sub> N <sub>4</sub>	Non-corrosive Brass Bronze Teflon Laminate

## LER 3.5

Ø KK mm	Load ratings KN				Weight kg	Order no.
	Coa	Cor	Ca	Cr		
400	329	125	34	25	0.7	69619A
420	347	132	35	25	0.7	69621A
440	362	138	35	25	0.7	69623A
460	381	145	36	26	0.7	69625A
480	396	150	36	26	0.7	69627A
500	411	156	37	27	0.8	69629A
520	429	163	38	27	0.9	69631A
540	444	169	38	27	0.9	69633A
560	463	176	39	28	1.0	69635A
580	478	181	39	28	1.0	69637A
600	496	188	40	29	1.1	69639A
620	511	194	40	29	1.1	69641A
640	530	201	41	29	1.2	69643A
660	544	207	41	30	1.2	69645A
680	563	214	42	30	1.3	69647A
700	578	219	42	30	1.3	69649A
720	593	225	42	30	1.4	69651A
740	611	232	43	31	1.5	69653A
760	626	238	43	31	1.5	69655A
780	645	245	44	31	1.6	69657A
800	660	251	44	32	1.6	69659A
820	678	258	44	32	1.7	69661A
840	693	263	45	32	1.7	69663A
860	712	270	45	33	1.8	69665A
880	727	276	46	33	1.8	69667A
900	745	283	46	33	1.9	69669A
960	794	301	47	34	2.0	69672A
1000	827	314	48	34	2.0	69674A
1100	909	345	49	36	2.2	69679A
1200	991	376	51	37	2.4	69684A
1300	1077	409	53	38	2.6	69689A
1400	1158	440	54	39	2.8	69694A
1500	1240	471	55	40	3.0	69699A

